

Project: \_\_\_\_\_

Item: \_\_\_\_\_

Quantity: \_\_\_\_\_

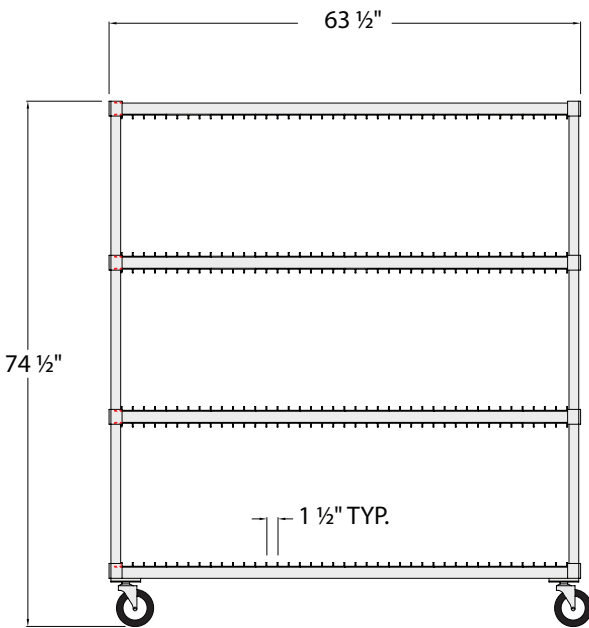
## Tray Drying Rack - Adjustable

These racks conveniently adjust to stack various size pans and trays for drying without contact. This allows air to circulate freely for faster drying and reduces pan-to-pan contamination.

- Constructed of Primary Grade Aluminum.
- Upright posts are 1 5/16" diameter pipe.
- Framework for shelves is constructed of 1 1/2" x 1 1/2" x .070" wall tubing.
- Tray guides are constructed of .090" thick angle that are ideally spaced on 1 1/2" and 2 3/4" centers.
- Equipped with four, 5" platform type, swivel casters.
- Five-Year Guarantee against material defects and workmanship.
- Lifetime Guarantee against rust and corrosion.
- NSF Certified.



96087



95333

### ► Tray Drying Racks - Adjustable

Model No	Size W-H-L	Tray Levels	Guide Clearance	Ship Lbs.
95413	28" x 50 1/2" x 63 3/4"	2	1.4"	172
96090	28" x 50 1/2" x 59"	2	2.65"	159
95333	28" x 74 1/2" x 63 3/4"	3	1.4"	234
96087	28" x 74 1/2" x 59"	3	2.65"	219

Four 5" plate type swivel casters.  
All units shipped knocked down.

**Options:** Options may not be NSF Certified. Contact the factory.

**Caster Locks (2)** - Add "CL" suffix to model #.



New Age Industrial Corp., Inc. || [NewAgeIndustrial.com](http://NewAgeIndustrial.com) || Made in the USA

PO Box 520 • 16788 US Hwy 36 • Norton, Kansas 67654 || Phone: (800) 255-0104 • (785) 877-5121 || Fax: (877)-877-7687 • (785) 877-2616

This information is for general sales and engineering use only. New Age Industrial reserves the right to modify or make changes at any time, without notice, to materials and specifications.